

# RF TEST ENCLOSURE

## RT-2121

## DATA SHEET



## 1. Main Features

RT-2121 RF Test Enclosure supports broad band testing frequency and provides optimal testing condition to test mobile device.

- Outstanding durability and simple structure
- Convenient use and maintenance
- Supports an I/O interface panel to apply various interface (IB-series)
- High performance RF absorber
- High shielding effectiveness using double layer gasket structure.
- Fixture mounting holes in the Bottom Plate,

## 2. Product Specifications

	W (mm)	D (mm)	H (mm)
Outer Size (Closed)	248	305	212
Outer Size (Opened)	248	394	409
Inner Size	173	248	134
Weight	Approx. 6 Kg		
Packing Size	360	430	330
Packing Weight	Approx. 7.6 Kg		
Interface	I/O Panel : IB-Series		

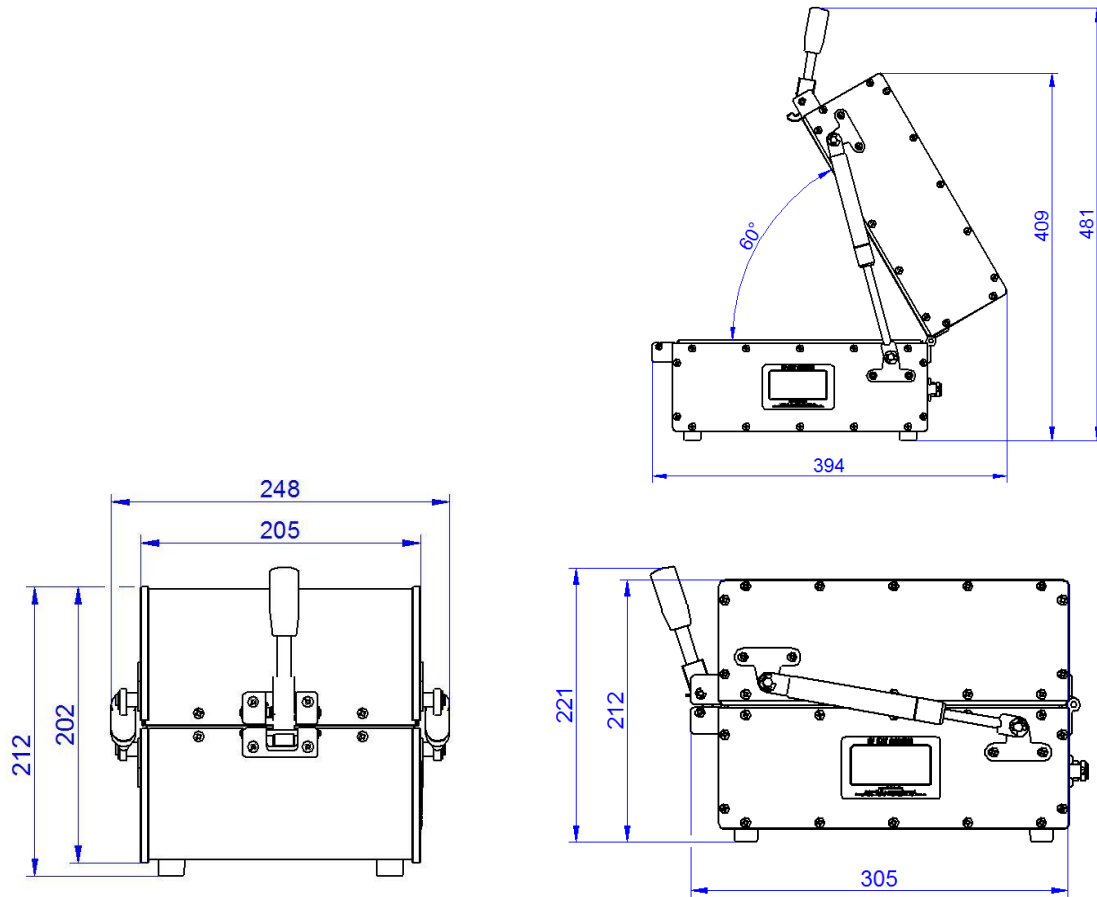
### Shielding Effectiveness

Frequency – Unit : MHz	Shielding effectiveness – Unit : dB
100-3000	>80
3000-6000	>70
6000-18000 (optional)	>70

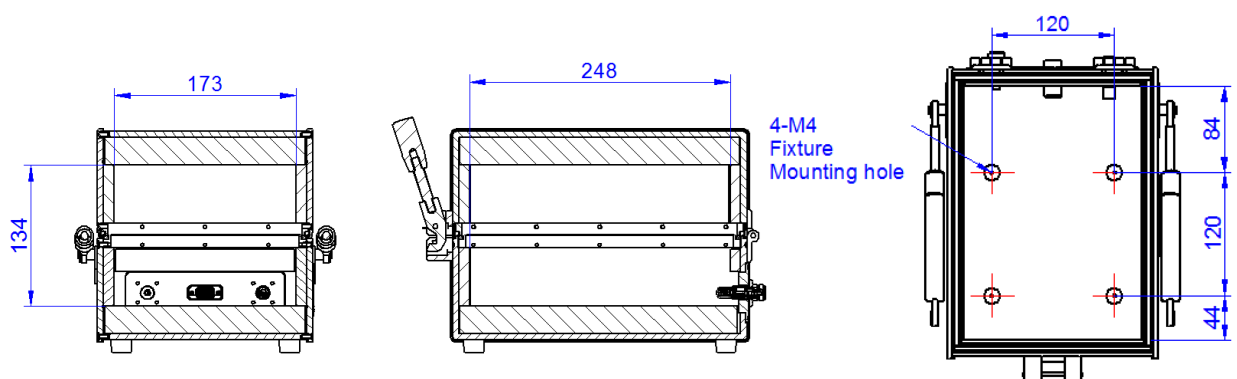
\*The shielding effectiveness in the above is measured when the blank I/O panel is attached.\*

## 3. Dimensions

## Outside Dimensions



## Inside Dimensions



***Roottek.co.kr***

*TEL: +82-70-5138-0370*

*FAX: +82-31-927-9201*

*e-mail: roottek@roottek.co.kr*

\*\* Specification of chamber can be updated without prior notice \*\*